

WINCH Counter

Specification Sheet

General Specification

Supply Voltage:

85 to 264 Vac, 47 to 63 Hz single phase

Operating temperature:

-10 °C to 40 °C

Case material:

Polycarbonate and Lexan

Communication:

RS232 (9,6 Kbs, N, 8, 1)

Display:

3 x 4 digits (18mm) LCD screen
1 x 20 digits (4.75mm)
per 4 lines alphanumeric LCD screen

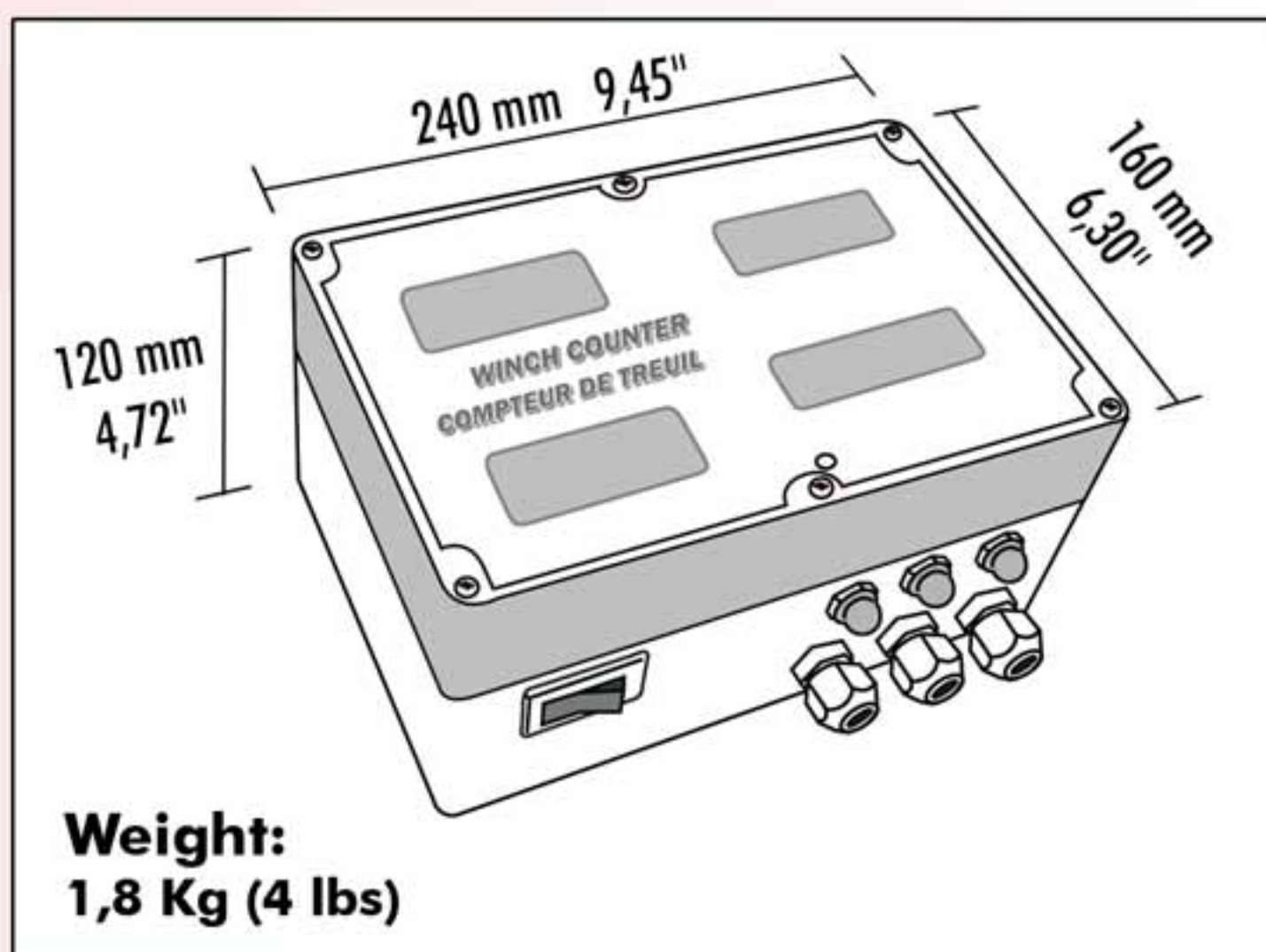
Software requirement:

Windows 98 or Windows XP

Suggested Rotary Encoder:

Dynapar model HR625010002D1

* Cables and rotary encoder not included



Weight:
1,8 Kg (4 lbs)



Multi-Électronique (MTE) Inc.

1, 8e Avenue
Rimouski (Quebec) G5L 2L9
Canada

Tel: 418 724-5835

Fax: 418 722-4837

info@multi-electronique.com
www.multi-electronique.com

MULTI
ÉLECTRONIQUE